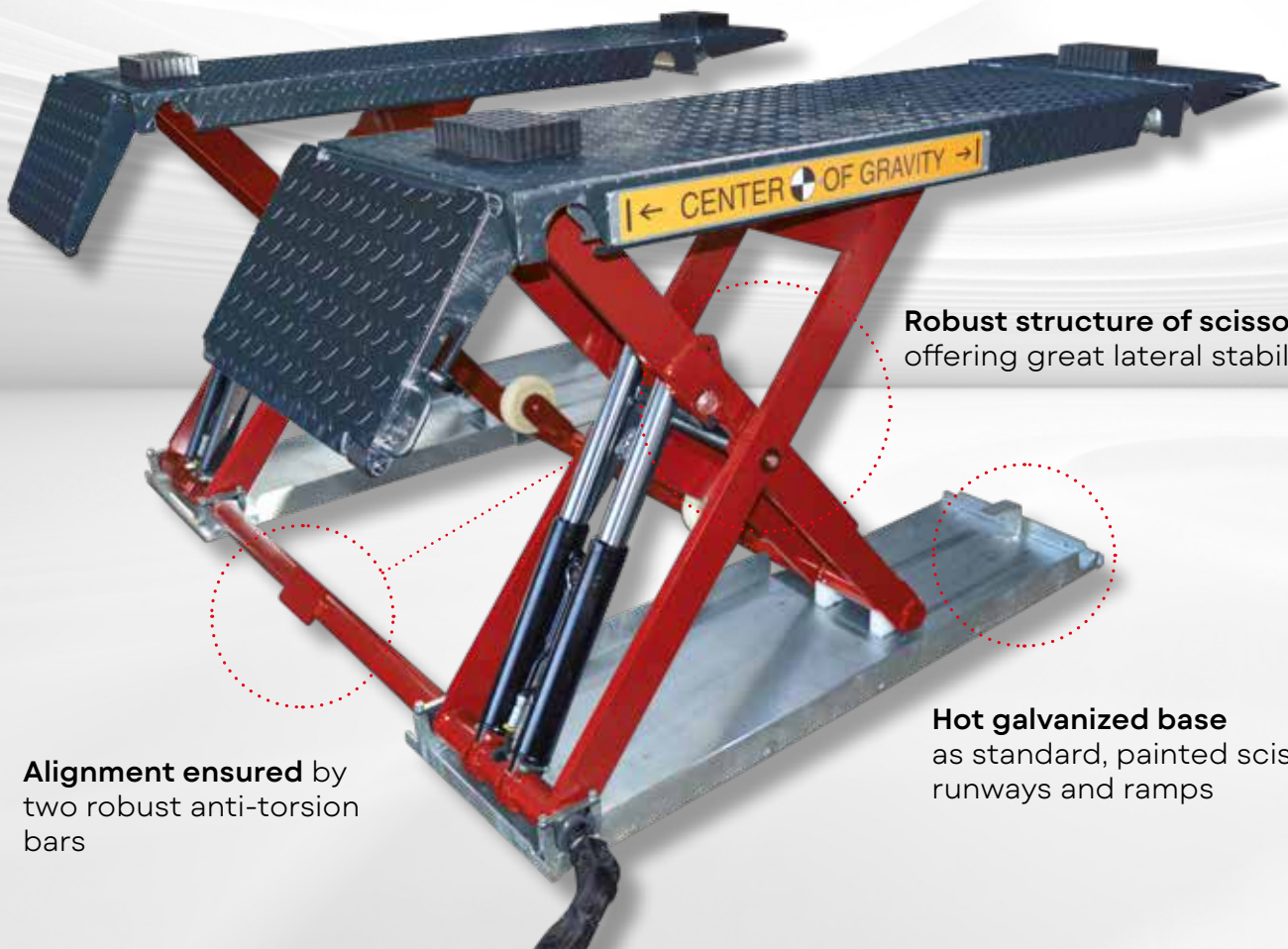


**3500**

**Reversible
low-profile
electrohydraulic
scissors lift for cars,
SUVs and vans**



Robust structure of scissors,
offering great lateral stability

Alignment ensured by
two robust anti-torsion
bars

Hot galvanized base
as standard, painted scissors,
runways and ramps

Start lever from zero position to maximum height

**Ideal for tyre specialists, car workshops, and body
repairers.**

HYDRAULIC SYSTEM

Redundant hydraulic system with two cylinders per runway, without the need for compressed air and mechanical safety devices.



CONTROL UNIT

Low voltage control unit with "dead-man" control system.



RUNWAYS WITH FLAPS

Runways with hung flaps, which also serve as ramps to get the vehicle on. Their "almond-shaped" structure ensures good manoeuvrability even in wet conditions.



STANDARD ACCESSORIES

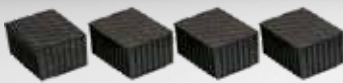


RUBBER BLOCKS
Kit of 4 pcs H=40 mm

RECOMMENDED ACCESSORIES



8-41100228
KIT ON CARRIAGE
Consisting of wheels and manual lever



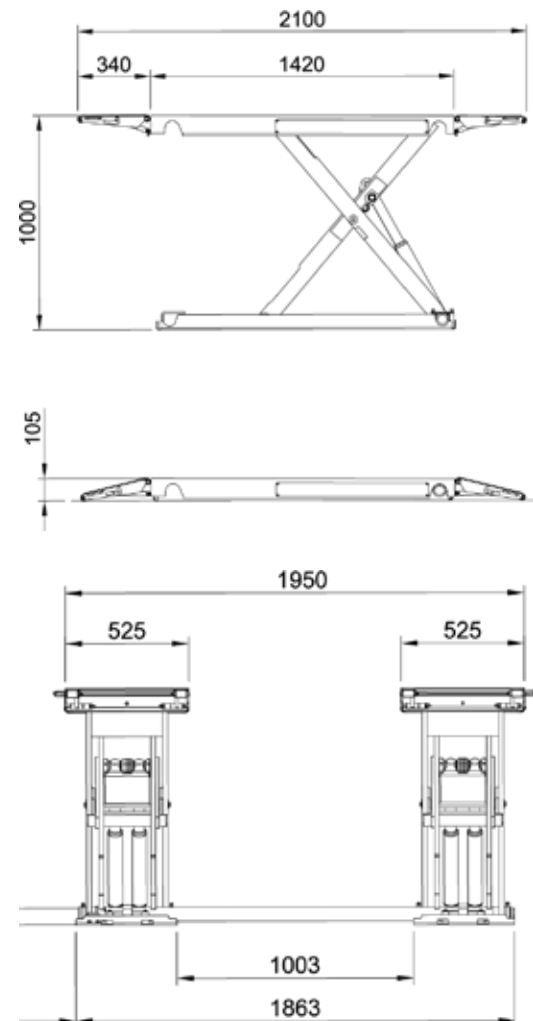
8-42300027
RUBBER BLOCKS
Kit of 4 pcs H=80 mm

See separate catalogue for further accessories.

TECHNICAL DATA

Lift capacity	3500 kg
Maximum lifting height	895 mm
Minimum lifting height	105 mm
Working height	1000 mm + tamponi gomma
Lifting/lowering time	16 s
Hydraulic unit	2.2 kW
Voltage	230/400V - 3Ph - 50/60Hz

DIMENSIONS



The manufacturer reserves the right to modify the features of its products at any time.