



ERCO C632 EF
ERCO C636 EF

C-Line

Lifting equipment



3200



3600



Electrohydraulic underbody double scissors type lift,
for tyre specialists, car workshops, and body repairers



ERCO C636 EF - ERCO C632 EF

Electrohydraulic underbody double scissors type lift, for tyre specialists, car workshops, and body repairers.

Alignment of the runways with a dual **MASTER/SLAVE** circuit (**two cylinders per runboard**) without mechanical safety racks. Runboards version with flaps (F).

All models available in both on-floor and flush installation versions.



- Unique arm geometry for maximum stiffness and minimised space usage.
- Special **lift linkage**, for lifting loads even from the lowest lift height.



- **Runways with suspended flaps** which also act as vehicle access ramps.



- **Adjustment bolts** with rubber to cushion the end of the stroke.



- **Generously sized, self-lubricating sliding blocks.**

SUPPLIED ACCESSORIES

- Self-lubricating bushings on all rotating parts • Set of 4 rubber pads

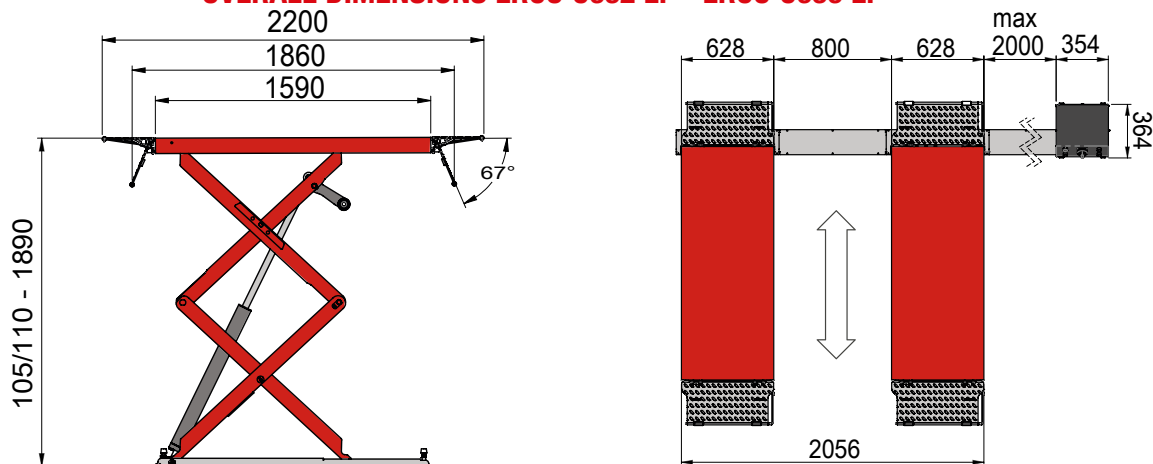
OPTIONAL

- Pair of cross pieces and pads for off-road vehicles • Kit for pit installations

TECHNICAL DATA

| Model | Lift capacity | Lifting time | Three phase motor | Single phase motor | Max. lifting height | Lift min. height |
|---------------------|---------------|--------------|-------------------|--------------------|---------------------|------------------|
| ERCO C632 EF | 3200 kg | 45 s | 230/400V - 3kW | 230V - 3kW | 1890 mm | 105 mm |
| ERCO C636 EF | 3600 kg | | 3Ph - 50/60Hz | 1Ph - 50/60Hz | | 110 mm |

OVERALL DIMENSIONS ERCO C632 EF - ERCO C636 EF



NEXION SPA - www.corghi.com - info@corghi.com

Designed in
ITALY

